

# E40/E40V SERIES

## ROTARY ENCODERS

---



上海朗祺成套自动化设备有限公司

上海市中山西路800弄55号紫云大厦14楼B座

电话: 021-62594745 传真: 021-32110420

WEB: [www.lqsh.cn](http://www.lqsh.cn) Mail: [info@lqsh.cn](mailto:info@lqsh.cn)

**Maper**  
Automation S.r.l.

Via Boccaccio, 8 20042 ALBIATE (MB - Italy)  
Tel.: ++3 9-0362-931181; Fax: ++039 -0362-931043  
Email: [mapersrl@tin.it](mailto:mapersrl@tin.it)

# E40/E40V

## ROTARY ENCODERS

Miniature incremental rotary encoders, with or without zero pulse (E41/E41V). The construction technology relying on compact and innovative electronics allows to achieve high performances at a contained price level. Complying with CE standards.

### MECHANICAL AND ENVIRONMENTAL SPECIFICATIONS

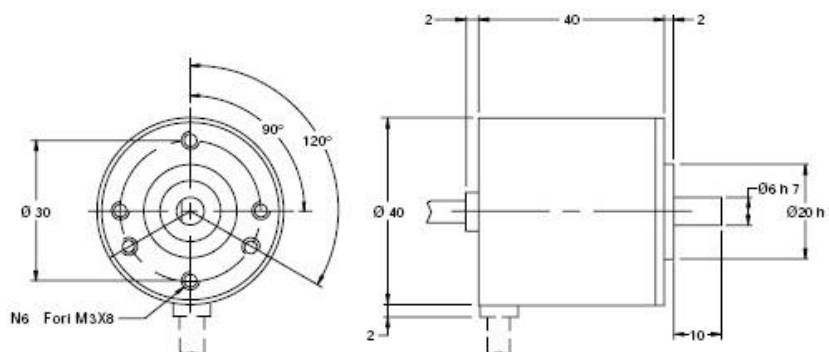
- Dimensions: See the drawing
- Weight: 95g
- Materials: Case: aluminium + ABS self-extinguishing  
Shaft: Stainless steel
- Shaft diameter: 6mm
- Revolutions per minute: 6000
- Starting torque:  $\leq 0.2\text{Ncm}$
- Inertia:  $\leq 5\text{g cm}^2$
- Maxload: 10N axial; 20N radial
- Shock resistance (11 ms): 30G
- Protection degree: IP54
- Operating temperature:  $-10 +60^\circ\text{C}$
- Stocking temperature:  $-20 +80^\circ\text{C}$

### ELECTRICAL AND OPERATING SPECIFICATIONS

- Pulse code: Incremental
- Output signal: Two square waves  $90^\circ \pm 30^\circ$  out of phase.  
Zero pulse  $90^\circ \pm 30^\circ$  wide
- Electronic output: Open collector NPN or PNP,  
push-pull, pull-up resistor  
NPN or PNP
- Supply: RE40/RE41 8-24Vdc or 5Vdc  $\pm 5\%$
- Current consumption : 30-80 mA
- Connection outlets : Radial cable 6m long
- Zero reference pulse: 1 pulse each revolution
- Max frequency: 100KHz

### DIMENSIONS

E40 - E40H



**LANGQI**

上海朗祺成套自动化设备有限公司

上海市中山西路800弄55号紫云大厦14楼B座

电话: 021-62594745 传真: 021-32110420

WEB: [www.lqsh.cn](http://www.lqsh.cn) Mail: [info@lqsh.cn](mailto:info@lqsh.cn)

**Maper**  
Automation s.r.l.

Via Boccaccio, 8 20042 ALBIATE (MB - Italy)  
Tel.: ++3 9-0362-931181; Fax: ++039 -0362-931043

Email: [mapersrl@tin.it](mailto:mapersrl@tin.it)