



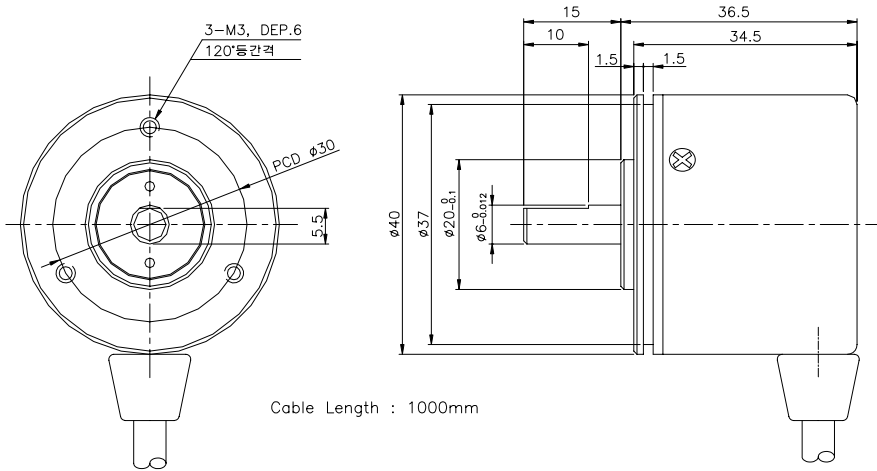
Feature

- Hollow Shaft type
- Small & Compact size
- Wide range application
- Measuring instrument
- Low cost type
- Various resolution & High responsibility

Application

- General purpose
- Industrial use
- Textile machine
- Weaving & Twisted thread machine
- Robot
- Lubricator

Dimension



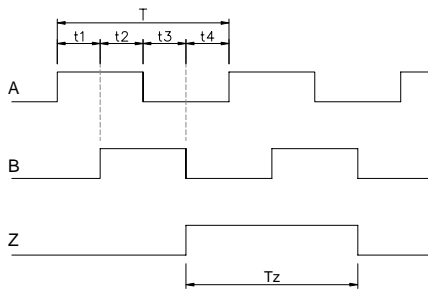
Electrical specifications

Resolution	50/100/120/160/200/250/256/300/360/500/512/1000/1024/2000/2048/2500 P/R	
Supply voltage	Line drive	DC +5±5% DC +5~28V(Option)
	OC/V/T	DC +5~28V
Current consumption	Max. 150mA	
Max. response frequency	Max.200KHz	
Output	Line Drive/OC/ Voltage/Totem - pole	
Rising / Falling time	Line : less 0.2µs OC/V/T : less 3µs	

Mechanical specifications

Max. rotating speed	7,000 rpm	
Starting torque	Max. 100gf. cm at 25	
Moment of inertia	Max. 10gf. cm ²	
Allowable shaft load	Radial	Max. 2.2Kg
	Axial	Max. 1.0Kg
Vibration resistance	10~55Hz / 1.5mm	
Shock resistance	50G, 11msec	
Operation temperature range	-10~+70	
Storage temperature range	-20~+85	
Protection	IP50 / IP64	

Output Signal



Duty ratio

$$t1+t2, t3+t4 = T/2 \pm T/8$$

$$t1, t2, t3, t4 = T/4 \pm T/8$$

$$Tz = T \pm T/2$$

Signal in CW on the view from the mounting