



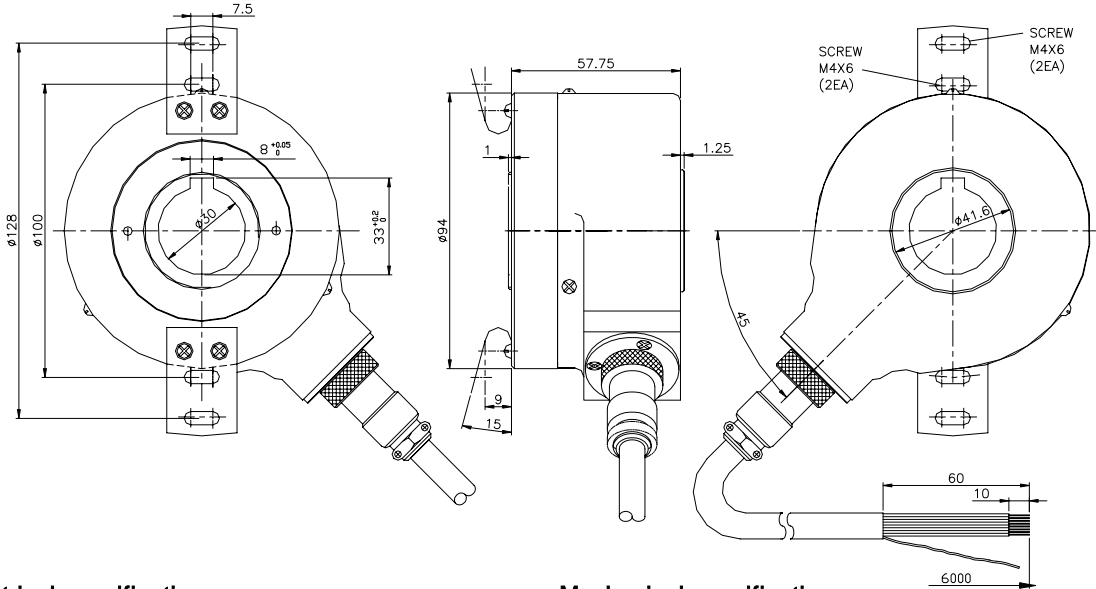
Feature

- High reliability
- High responsibility
- High resolution

Application

- Elevator control
- Suitable for big machine, motors

Dimension



Electrical specifications

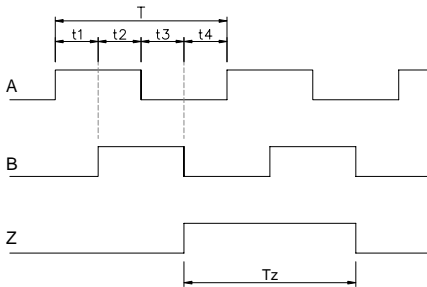
Resolution	1024/4096 P/R
Supply voltage	DC +5±5%
Current consumption	Max. 140mA
Max. response frequency	Max.204KHz
Output	Line drive
Rising / Falling time	less 0.3µs

Cable Length : 6,000mm

Mechanical specifications

Max. rotating speed	3,000 rpm	
Starting torque	Max. 500gf. cm at 25	
Allowable shaft load	Radial	Max. 20Kg
	Axial	Max. 10Kg
Vibration resistance	10~55Hz / 1.5mm	
Shock resistance	100G, 11msec	
Operation temperature range	0~+70	
Storage temperature range	-20~+80	
Protection	IP50	

Output Signal



Duty ratio

$$t1+t2, t3+t4 = T/2 \pm T/8$$

$$t1, t2, t3, t4 = T/4 \pm T/8$$

$$Tz = T/4$$

Signal in CW on the view from the mounting