



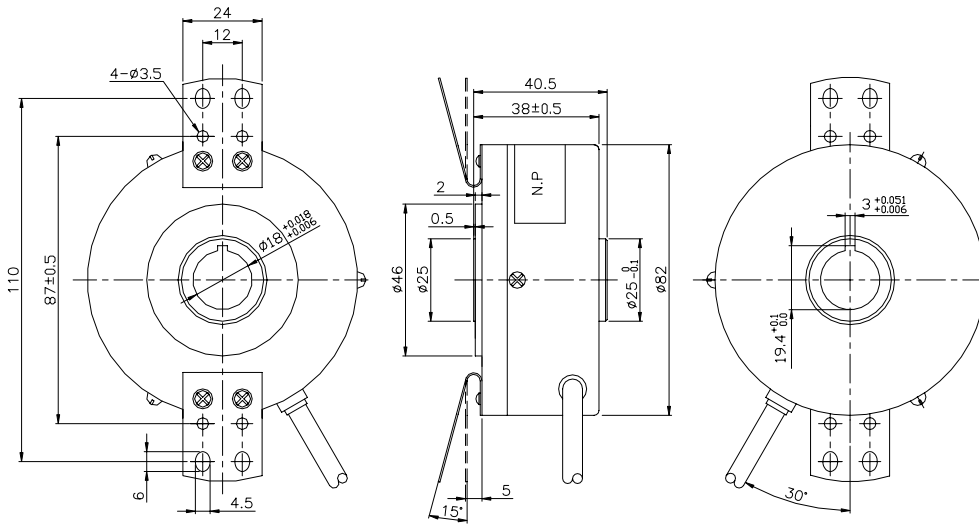
Feature

- DC servomotor control
- Easy mounting for motor
- Rigid type
- High reliability

Application

- Parking system
- DC servomotor
- Industrial machine

Dimension



Electrical specifications

Resolution	500/632/1000/1024 P/R	
Supply voltage	Line drive	DC +5V
	OC/T/V/C	DC +5~28V
Current consumption	Max. 150mA	
Max. response frequency	Max.110KHz	
Output	L/OC/T/V/C *Rem1)	
Rising / Falling time	Line drive : less 0.2µs Other : less 3µs	

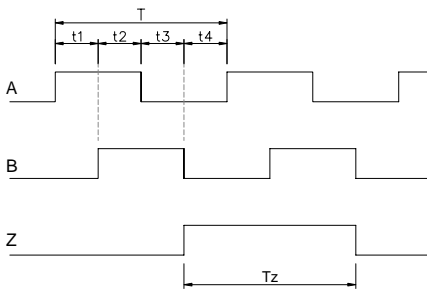
Rem1)

L : Line drive, OC : Open collector, V : Voltage
T : Totem-pole, C : Complementary

Mechanical specifications

Max. rotating speed	6,500 rpm	
Starting torque	Max. 200gf.cm at 25	
Moment of inertia	Max. 200gf.cm ²	
Allowable shaft load	Radial	Max. 5Kg
	Axial	Max. 3Kg
Vibration resistance	10~55Hz / 1.5mm	
Shock resistance	50G, 11msec	
Operation temperature range	0~+70	
Storage temperature range	-20~+85	
Protection	IP50	

Output Signal



Duty ratio

$$t1+t2, t3+t4 = T/2 \pm T/8$$

$$t1, t2, t3, t4 = T/4 \pm T/8$$

$$Tz = T \pm T/2$$

Signal in CW on the view from the mounting