

SG4

SAFEasy TYPE 4 SAFETY LIGHT CURTAINS

The new innovating Safeasy SG4 light curtains are integrated light curtains for finger protection. They're ideal for applications which don't require complementary functions (muting, blanking etc.). SG4 is available with controlled heights from 150mm to 1800mm, with manual or automatic restart. A very simple device having interesting performances: operating distance reaching 6m and response time from 11 to 50msec.

STANDARD REFERENCES:

- 98/37 EEC: EC Machine Directive
- 2004/108 EEC: EMC Directive
- 73/23 EEC : Low Voltage Directive



TECHNICAL DATA:

- Power supply: 24Vdc \pm 20%
- Consumption: Emitter unit 2,5W; Receiver unit: 4W max (without load)
- Output type: 2PNP
- Short-circuit protection: 1,4A max
- Output current: 0,5a max on each output
- Output voltage: ON status: Vdd 1Vmin.; OFF status: 0.2Vmax
- Controlled heights: from 150mm to 1800mm
- Safety category: Type 4
- Electrical protection: Class I / Class III

OPTICAL DATA:

- Light emission: Infrared LED(950nm)
- Resolution: 14mm
- Operatine distance: 0.2...6m
- Aperture angle (EAA): \pm 2.5°
- Ambient light rejection: IEC-61496-2

MECHANICAL DATA:

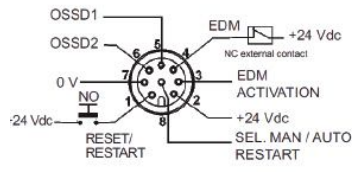
- Temperature: Operating: 0...+55°C; Storage: -24...+70°C
- Temperature class: T6
- Humidity: 15....95% (non condensante)
- Mechanical protection: IP65 (EN60529)
- Housing material: Painted alluminium (yellow RAL 1003)
- Weight: 1,3kg/m

Maper
Automation s.r.l.

Via Boccaccio, 8 20847 ALBIATE (MB) – ITALY
Tel.: ++39-0362-931181; Fax: ++039-0362-931043; E-mail: mapersrl@tin.it

CONNECTIONS:

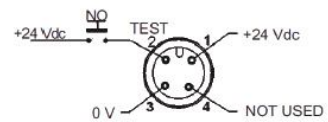
M12 8-POLE CONNECTOR



- | | |
|------------|----------------------------|
| 1 = white | = RESET (*) |
| 2 = brown | = +24 Vdc |
| 3 = green | = EDMACTIVATION (**) |
| 4 = yellow | = EDM |
| 5 = grey | = OSSD1 |
| 6 = pink | = OSSD2 |
| 7 = blue | = 0 V |
| 8 = red | = SEL. MAN. / AUTO RESTART |

*Automatic RESTART - RESET function
Manual RESTART - RESET/RESTART function
**Refer to "SG2-E: function"

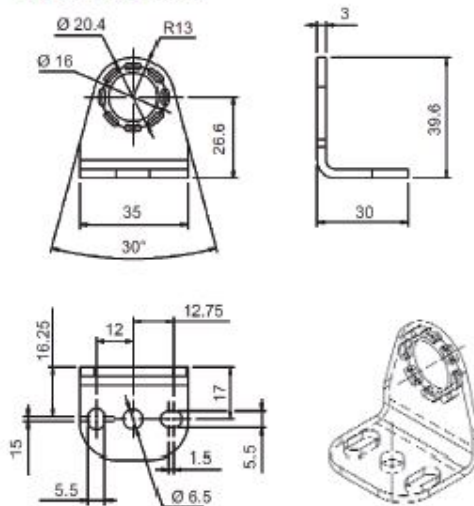
M12 4-POLE CONNECTOR



- | | |
|-----------|------------|
| 1 = brown | = +24 Vdc |
| 2 = white | = TEST |
| 3 = blue | = 0 V |
| 4 = black | = NOT USED |

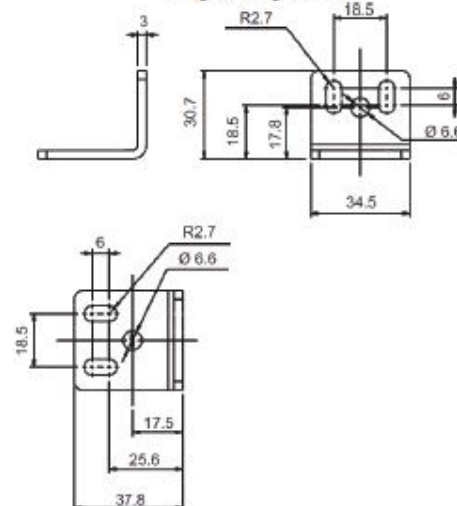
FIXING BRACKETS:

Rotating fixing bracket¹

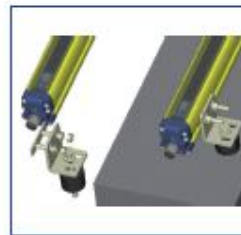


¹ Accessory sold separately

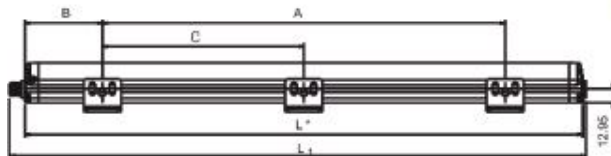
Angled fixing bracket²



² Supplied in the package



Installation with anti-vibration supports



MODELS	L (mm)	A (mm)	B (mm)	C (mm)
SG4-14-015-00-E	216.3	108	54	-
SG4-14-030-00-E	366.2	216	75	-
SG4-14-045-00-E	516.3	316	100	-
SG4-14-060-00-E	666.2	366	150	-
SG4-14-075-00-E	816.3	466	175	-
SG4-14-090-00-E	966.2	566	200	-
SG4-14-105-00-E	1116.2	666	225	-
SG4-14-120-00-E	1266.3	966	150	483
SG4-14-135-00-E	1416.2	1066	175	533
SG4-14-150-00-E	1566.3	1166	200	583
SG4-14-165-00-E	1716.3	1266	225	633