

# SG2

## SAFEasy TYPE 2 SAFETY LIGHT CURTAINS

The new innovating Safeasy SG2 light curtains are integrated light curtains for presence control. SG2 model controls an height of 900mm with 90mm resolution. It is provided of 13 controlled beams, manual or automatic restart, according to the needs. A very simple device having very interesting performances: an operating distance reaching 19m, response times ranging from 9 to 20msec which result to be among the lowest in the market. This allows to install the device nearer the dangerous areas.

The profile and the rotating fixing brackets ease the installation and the alignment of the emitting and receiving units, even at long distances and in applications with deviating mirrors.

### STANDARD REFERENCES:

- 98/38EEC: EC Machine Directive
- 89/336EEC: EMC Directive
- 2006/95/EEC: Low Voltage Directive



### TECHNICAL DATA:

- Power supply: 24Vdc  $\pm$ 20%
- Consumption: Emitter unit 2W max; Receiver unit: 3,5W max (without load)
- Outputs: 2PNP
- Short circuit protection: 1,4A max
- Output current: 0.5A max on each output
- Output voltage: ON status: Vdd 1Vmin; OFF status: 0.2V max
- Response time: from 9 to 20msec
- Controlled height: 900mm
- Safety category: Type 2
- Electrical protection: Class I / Class III

### OPTICAL DATA:

- Light emission: Infrared LED (950nm)
- Resolution: 90mm
- Operating distance: 0.2...19m
- Aperture angle (EAA):  $\pm$ 5°
- Ambient light rejection: IEC-61496-2

### MECHANICAL DATA:

- Temperature: Operating: 0...+55°C; Storage: -25...+70°C
- Temperature class: T6
- Humidity: 15...95% (non condensating)
- Mechanical protection: IP65 (EN60529)
- Housing material: Painted aluminium (yellow RAL 1003)
- Total length: 983,20mm
- Weight: 1kg/m

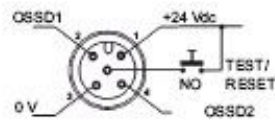
**Maper**  
Automation srl

Via Boccaccio, 8 20847 ALBIATE (MB) – ITALY

Tel.: ++39-0362-931181; Fax: ++039-0362-931043; E-mail: [mapersrl@tin.it](mailto:mapersrl@tin.it)

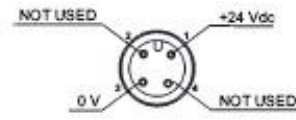
## CONNECTIONS:

### M12 5-POLE CONNECTOR



1 = brown = +24 Vdc  
 2 = white = OSSD1  
 3 = blue = 0 V  
 4 = black = OSSD2  
 5 = grey = TEST/RESET

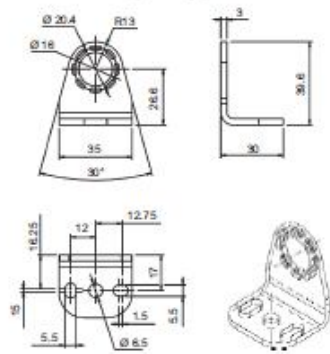
### M12 4-POLE CONNECTOR



1 = brown = +24 Vdc  
 2 = white = NOT USED  
 3 = blue = 0 V  
 4 = black = NOT USED

## FIXING BRACKETS:

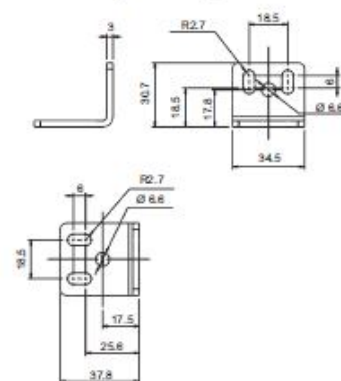
### Rotating fixing bracket<sup>1</sup>



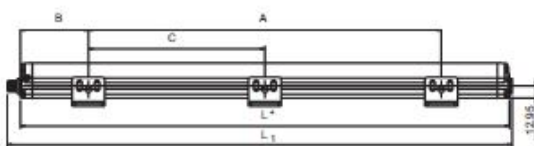
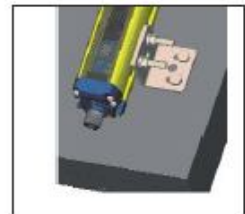
<sup>1</sup> Supplied with the Extended model



### Angled fixing bracket<sup>2</sup>



<sup>2</sup> Supplied with the Base model



MODELS	L (mm)	A (mm)	B (mm)	C (mm)
SG2-kk-030-00-*	366.2	216	75	-
SG2-kk-045-00-*	516.3	316	100	-
SG2-kk-060-00-*	666.2	366	150	-
SG2-kk-075-00-*	816.3	466	175	-
SG2-kk-090-00-*	966.2	566	200	-
SG2-kk-105-00-*	1116.2	666	225	-
SG2-kk-120-00-*	1266.3	966	150	483
SG2-kk-135-00-*	1416.2	1066	175	533
SG2-kk-150-00-*	1566.3	1166	200	583
SG2-kk-165-00-*	1716.3	1266	225	633
SG2-kk-180-00-*	1866.3	1366	250	683

kk = Resolution (50 mm - 90 mm)  
 \* = X Base model or E-C Extended model

### Installation with anti-vibration supports

